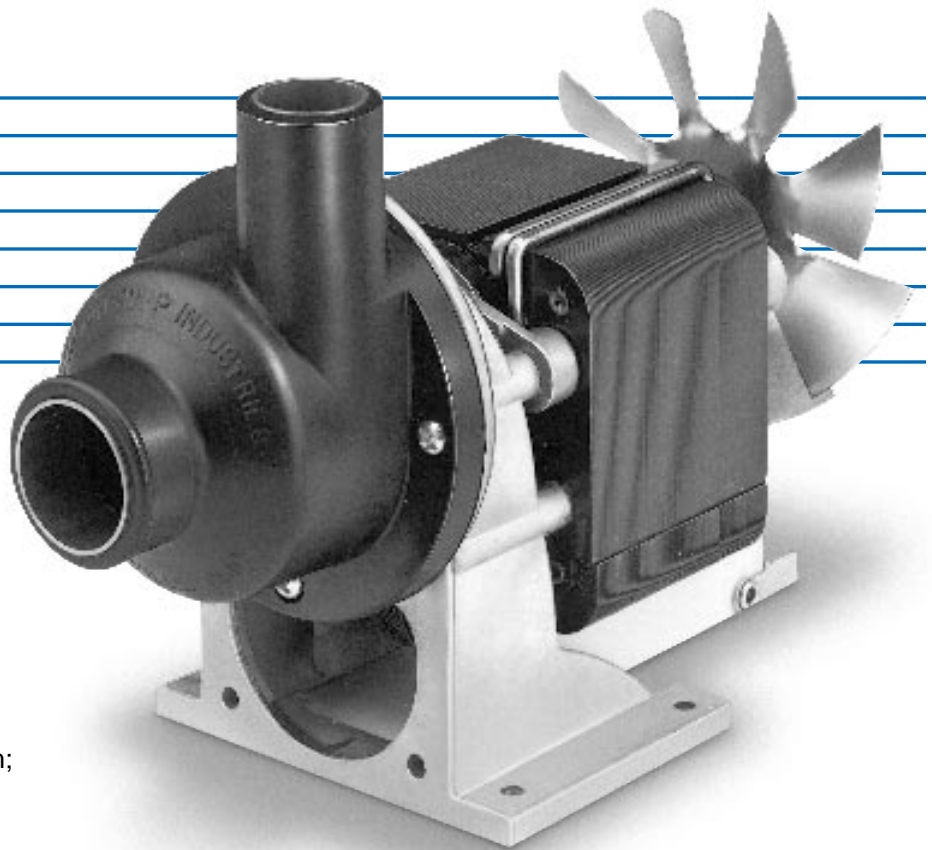


# 200 Series



## Pump Specifications:

**Flow Rates** — Range to 13 gpm;  
maximum head  
9.7 feet

**Motor** — 115V, 60 Hz  
Open, shaded pole

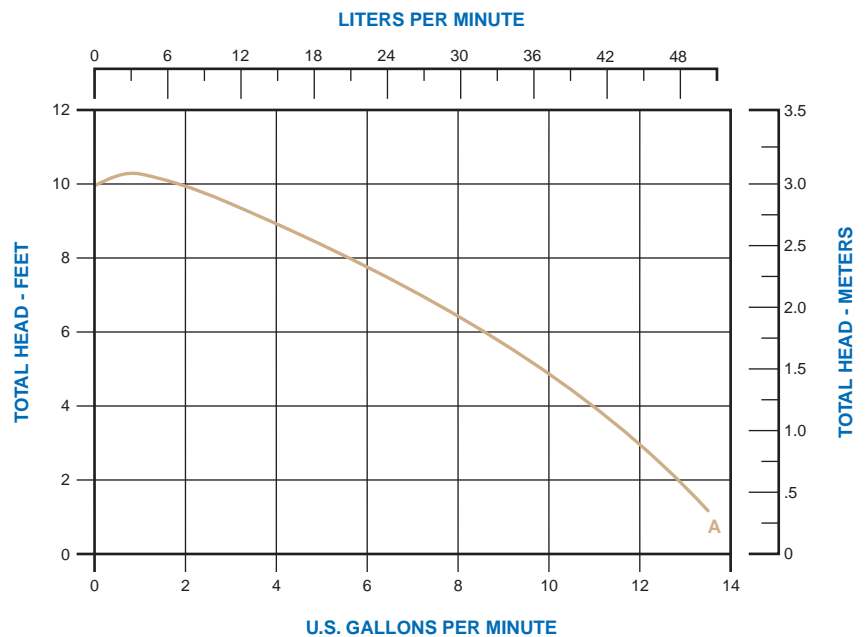
**Fluid Temperature** — To 180°F (82°C)

## Materials in Contact with Solution:

**Body** — Polyethylene

**Impeller** — Polyethylene

**Seal** — Nitrile lip seal



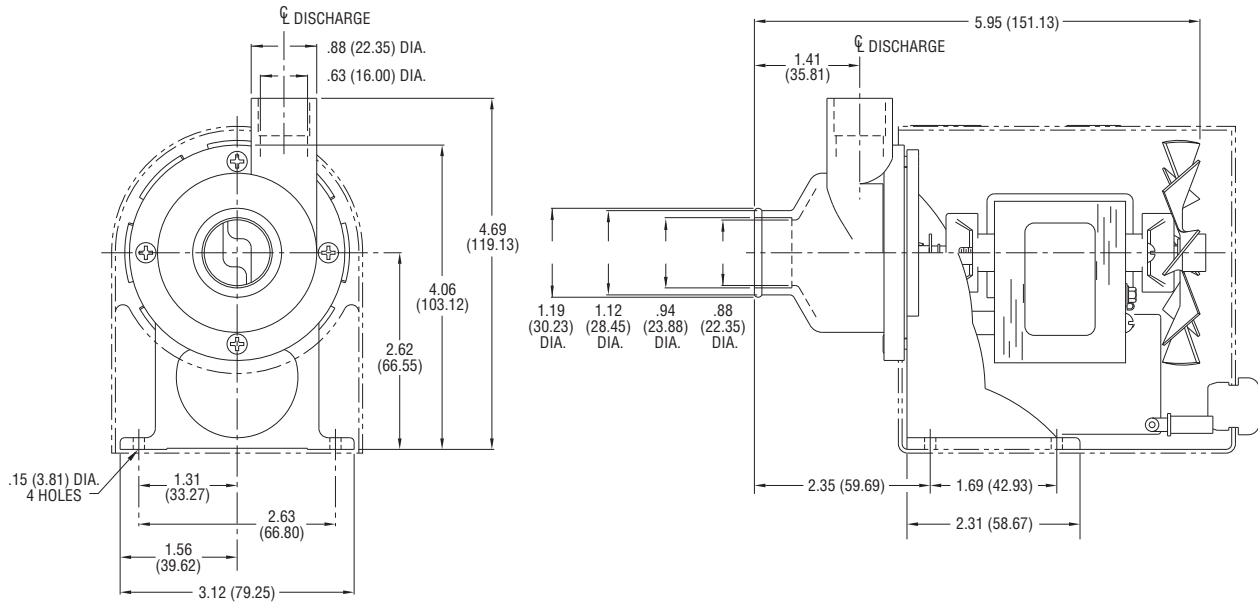
A - 60 Hz curve.

## MODEL SPECIFICATIONS

| Model Number | Series  | Seal | Volts | Hz | Amps | Motor Type | Shell | Typical Curve |       | Approx. Wt. |
|--------------|---|------|-------|----|------|------------|-------|---------------|-------|-------------|
|              |   |      |       |    |      |            |       | 50 Hz         | 60 Hz |             |
| 15901-001    | 200   | Lip  | 115   | 60 | 2.4  | SP         | Open  | —             | A     | 4.0 lbs.    |
| 15952-001    | Same as 15901-001 except with 6' cord and cover |      |       |    |      |            |       |               |       |             |

## CENTRIFUGAL PUMPS - TYPICAL DIMENSIONS

### 200 Series Model



Dimensions in Inches  
(Dimensions in Millimeters)

# OEM

## *Options*

- Body** —
- a. Buna N
  - b. Bronze
  - c. Stainless Steel
  - d. Noryl®
  - e. Nitrile

- Impellers** —
- a. Buna N
  - b. Phenolic
  - c. Bronze
  - d. Stainless Steel
  - e. Noryl®

- Seals** —
- a. Buna N lip seal
  - b. Carbon vs. 316 Stainless Steel with Kel-F®, Viton®/Fluoroelastomer, Brass and 302 Stainless Steel components
  - c. Carbon vs. 316 Stainless Steel with Polyethylene, Brass and 302 Stainless Steel components
  - d. Carbon vs. 316 Stainless Steel with Silicone, Brass and 302 Stainless Steel components

- Motors** —
- a. 115V, 50/60 Hz
  - b. 230V, 50 Hz
  - c. 230V, 50/60 Hz
  - d. Pedestal models (no motor)