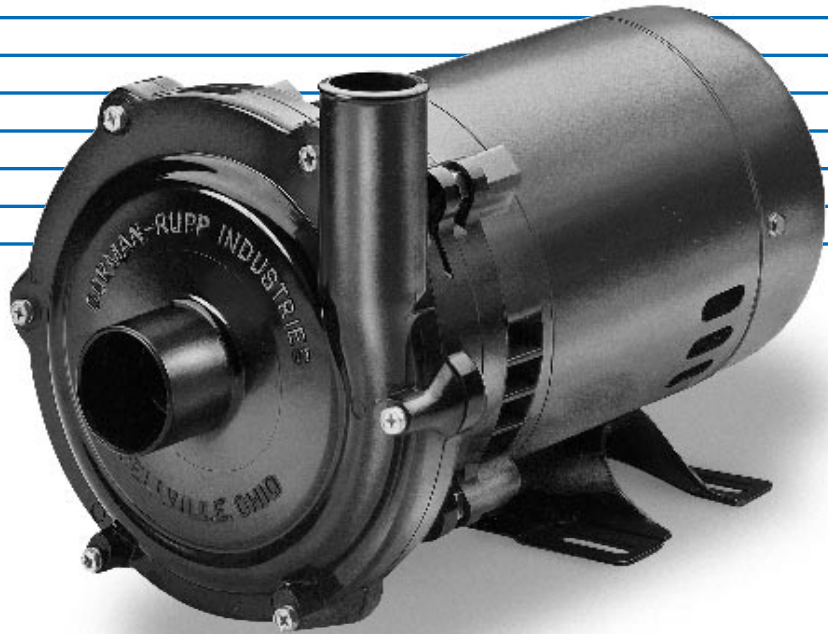


2700 Series



Pump Specifications:

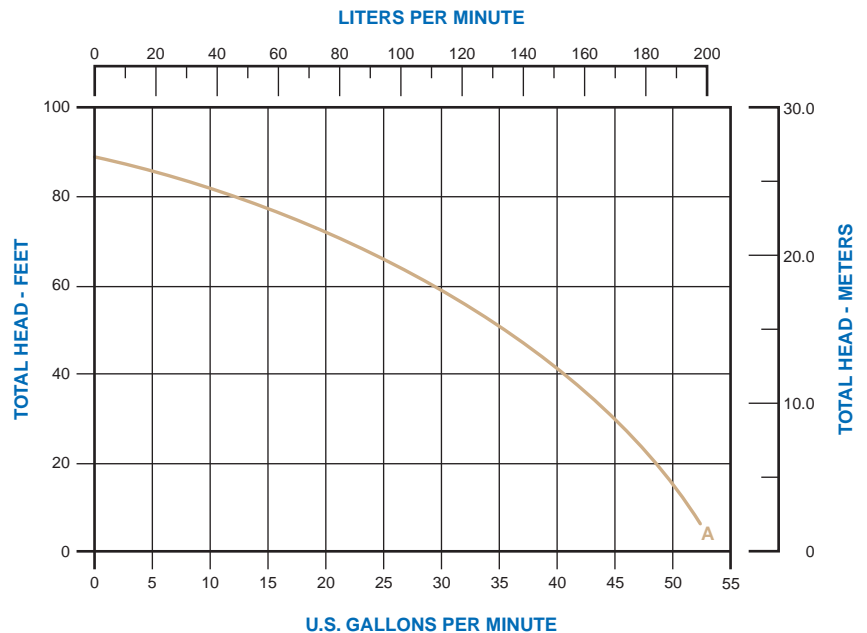
Flow Rates — Range to 49 gpm;
maximum head
85 feet

Motor — 115/230V, 60 Hz
½ hp, drip-proof,
capacitor start,
thermally protected

Fluid Temperature — To 220°F (104°C)

Materials in Contact with Solution:

Body — Phenolic
Impeller — Phenolic with 316
Stainless Steel shaft
Seal — Carbon and
Ceramic face
mechanical seal
with Nitrile
elastomers and
302 Stainless steel
and Brass parts



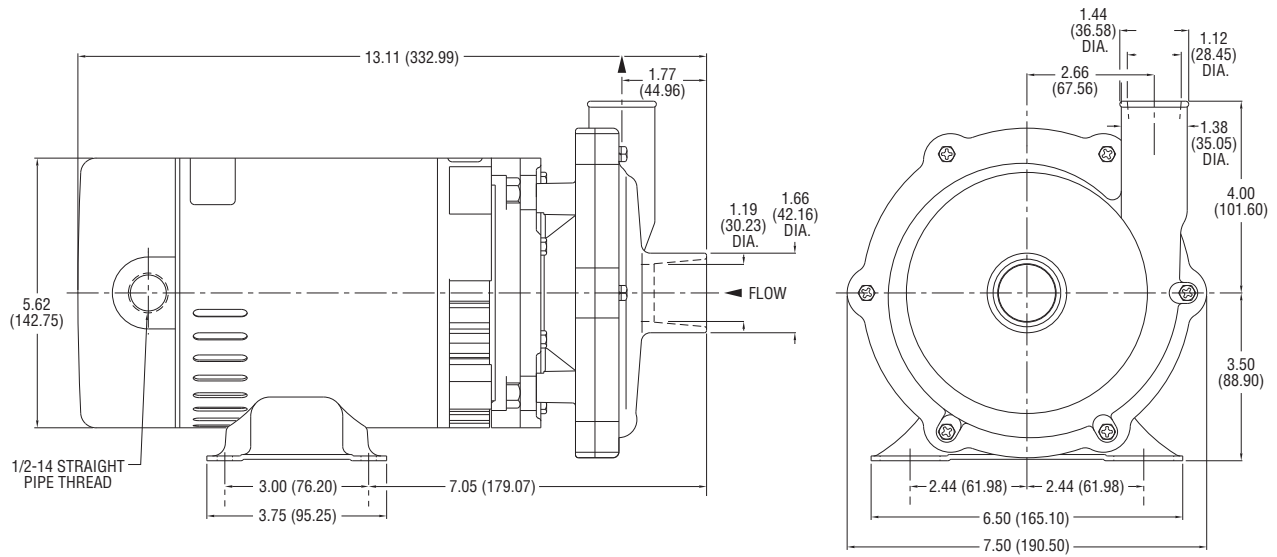
A - 60 Hz curve.

MODEL SPECIFICATIONS

Model Number	Series	Seal	Volts	Hz	Amps	Motor Type	Shell	Typical Curve		Approx. Wt.
								50 Hz	60 Hz	
11821-013	2700	Mech	115/230	60	9.72/4.87	Cap. Start	Drip-Proof	—	A	22.0 lbs.

CENTRIFUGAL PUMPS - TYPICAL DIMENSIONS

2700 Series Model



Dimensions in Inches
(Dimensions in Millimeters)

OEM
Options

Impellers — Epoxy with Stainless
Steel shaft

Motor — Pedestal (no motor)