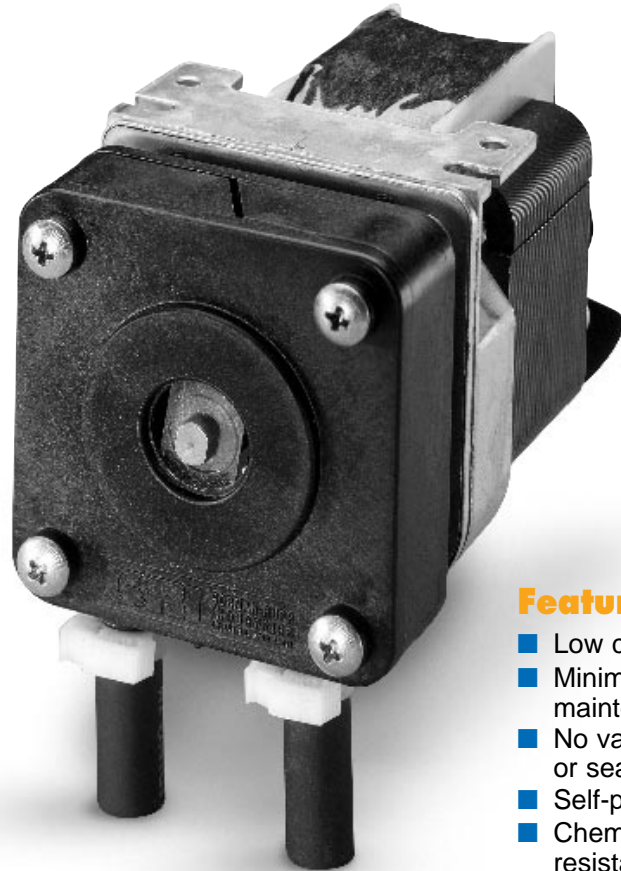


Peristaltic Pumps

Peristaltic pumps operate on a positive displacement principle. Because there are few moving parts and no valves or seals, peristaltic pumps are virtually maintenance free. No tools or disassembly is required to replace the tubing. Peristaltic pumps are ideal for slurries, abrasive, viscous and corrosive liquids because only the tubing is in contact with the solution. Applications include a variety of chemical dispensing systems.



Features:

- Low cost
- Minimal maintenance
- No valves or seals
- Self-priming
- Chemically resistant
- Easy service
- Mounting flexibility

Pump Specifications:

- Flow Rates** — To 360 ml per minute with discharge pressures to 20 psi
- Self-Priming** — To 20 feet
- Tubing I.D.** — 1/4"
- Tubing Length** — 9"
- Motors** — 115V, 50/60 Hz; 230V, 50/60 Hz
Thermally protected, shaded pole
- Fluid Temperature** — To 275°F (135°C)

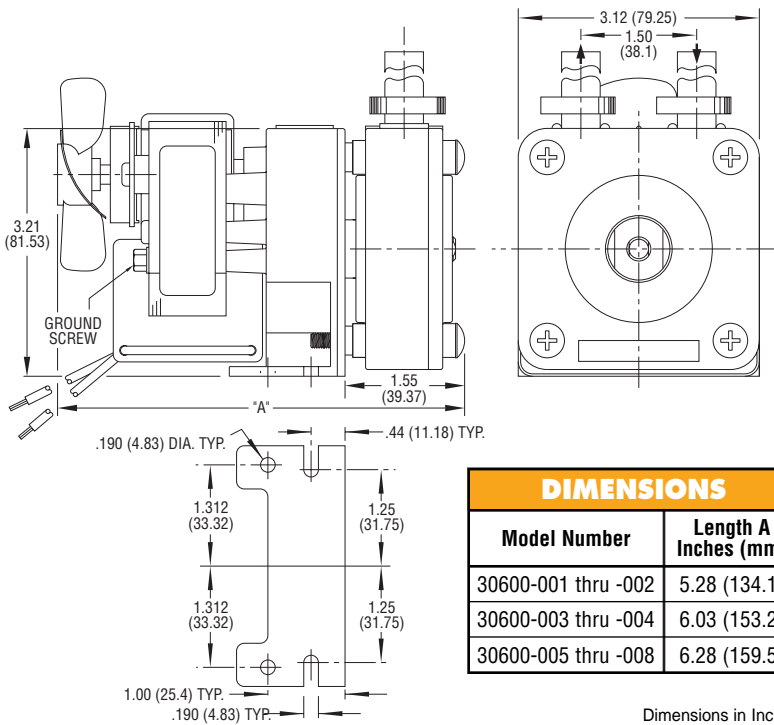
Materials in Contact with Solution:

- Tubing** — Norprene®

MODEL SPECIFICATIONS

Model Number	Motor Specifications		Hz	Flow Rate @ 50 Hz ml/min.	Flow Rate @ 60 Hz ml/min.	Approx. Wt.
	RPM	Volts				
30600-001	13/15	115	50/60	38	45	3.3 lbs.
30600-002	13/15	230	50/60	38	45	3.2 lbs.
30600-003	52/63	115	50/60	150	180	4.5 lbs.
30600-004	48/58	230	50/60	140	170	4.4 lbs.
30600-005	100	115	50	300	—	4.8 lbs.
30600-006	120	115	60	—	360	4.8 lbs.
30600-007	100	230	50	290	—	4.7 lbs.
30600-008	120	230	50/60	—	350	4.8 lbs.

PERISTALTIC PUMPS - TYPICAL DIMENSIONS



DIMENSIONS

Model Number	Length A Inches (mm)
30600-001 thru -002	5.28 (134.1)
30600-003 thru -004	6.03 (153.2)
30600-005 thru -008	6.28 (159.5)

Dimensions in Inches
(Dimensions in Millimeters)

OEM Options

- Tubing I.D.** — $\frac{3}{16}$ "*
- Tubing** —
- Hypalon®
 - Silicone
 - Viton®/
Fluoroelastomer
 - Butyl
 - Hydrin®
 - Natural Rubber
- Tubing Length** — Extruded tubing cut to the customer's requirements for Norprene®
- Motors** — Standard DC with reversible DC motors
- Special Configurations** — Two tandem models can be supplied with any combination of tubing sizes and materials

*For estimating flow rates, $\frac{1}{4}$ " tubing provides 2.9 ml per revolution and $\frac{3}{16}$ " tubing provides 1.25 ml per revolution.

Replacement Kits

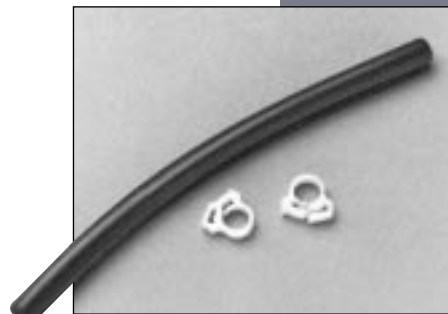
Model Number	Body Kit	Tubing Kit	Rotor & Roller Kit
All	02501-067	02500-882	02501-068



02501-067 Body Kit (1)

Notes:

- Body kit includes body halves and screws.
- Tubing kit includes tubing and hose clamps.
- Kit includes rotor & roller assembly.



02500-882
Tubing Kit (2)



02501-068 Rotor
& Roller Kit (3)